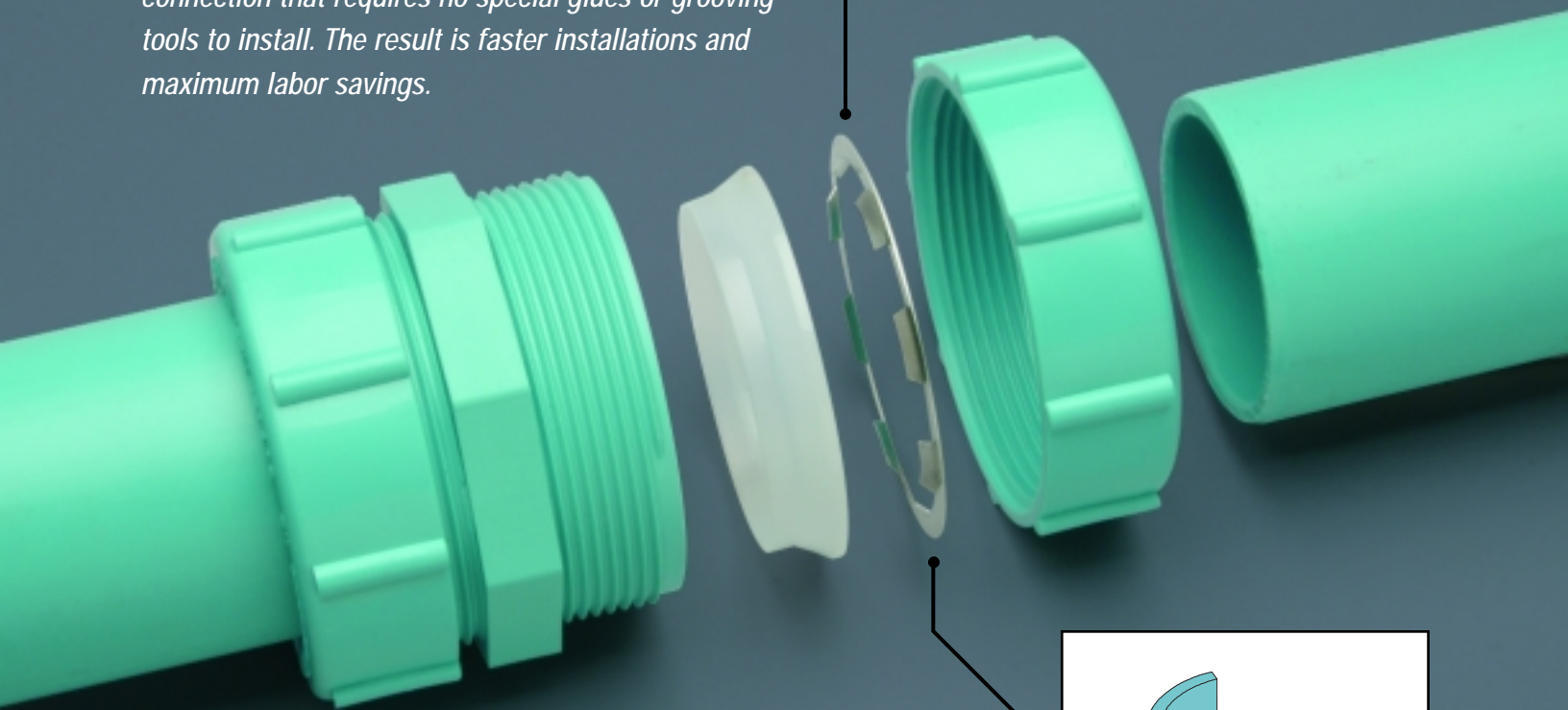


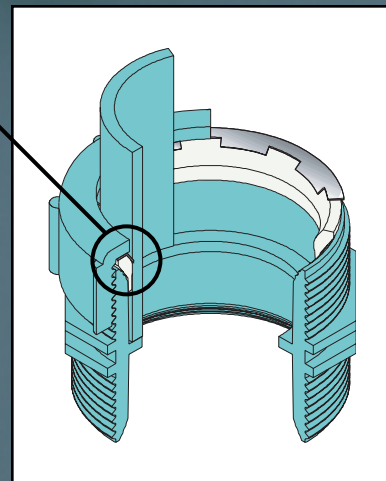
STAB-LOCK™

New from Zurn Chemical Drainage Systems

STAB-LOCK is a new patent pending mechanical joint connection that requires no special glues or grooving tools to install. The result is faster installations and maximum labor savings.



The new Zurn STAB-LOCK mechanical joint features a polyethylene sealing ring and stainless steel grab ring. Using proven grab ring technology currently employed in pressure rated systems like our PEX products, the Zurn STAB-LOCK seal can be used with our existing patented combination fittings for either polypropylene or PVDF systems. Along with our coil fusion and grooved mechanical seal, STAB-LOCK makes Zurn Chemical Drainage the most versatile system in the industry. It's faster than gluing and requires no cure time. STAB-LOCK seal is designated by the -S suffix after our standard part number, example Z9A-C-2-S.



ZURN PLUMBING PRODUCTS GROUP · CHEMICAL DRAINAGE SYSTEMS OPERATION
1801 PITTSBURGH AVENUE · ERIE, PA 16502 · PHONE: 814/898-1731 · FAX: 814/898-2573 · www.zurn.com

Form No. CDS32, 4/06